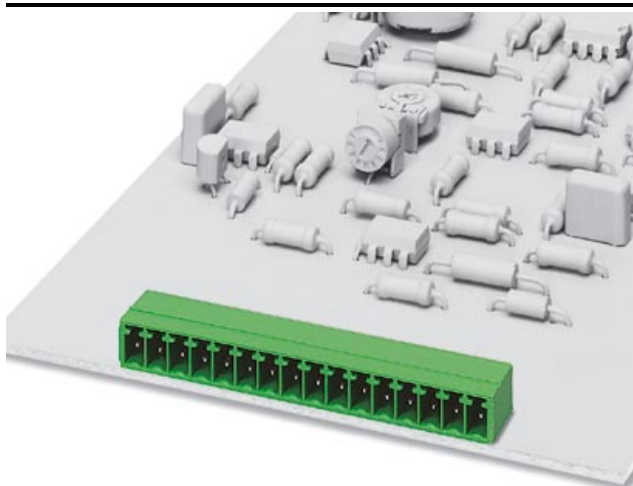


Please note that the data given here has been taken from the online catalog. For comprehensive information and data, please refer to the user documentation at <http://www.download.phoenixcontact.com>. The General Terms and Conditions of Use apply to Internet downloads.

## ► Extract from the online catalog



Header, nominal current: 8 A, rated voltage: 160 V, pitch: 3.5 mm, no. of positions: 3, mounting: Soldering

The illustration shows a 16-position version

Order No.	1844223
Ord designation	MC 1,5/ 3-G-3,5
EAN	4017918113261
Pack	50 Pcs.
Customs tariff	85369010
Catalog page information	Page 108 (CC-2005)

## ► Technical data

### Dimensions / positions

Pitch	3.5 mm
Dimension a	7 mm
Number of positions	3
Pin dimensions	0,8 x 0,8 mm
Hole diameter	1.2 mm

**Technical data**

---

Insulating material group	IIIa
Rated surge voltage (III/3)	2.5 kV
Rated surge voltage (III/2)	2.5 kV
Rated surge voltage (II/2)	2.5 kV
Rated voltage (III/2)	160 V
Rated voltage (II/2)	250 V
Connection in acc. with standard	EN-VDE
Nominal current $I_N$	8 A
Nominal voltage $U_N$	160 V
Maximum load current	8 A
Insulating material	PBT
Inflammability class acc. to UL 94	V0

---

---

**► Certificates**

---

**CSA**

Nominal voltage $U_N$	300 V
Nominal current $I_N$	8 A

---

**CUL**

Comments	all numbers of positions are accepted
Nominal voltage $U_N$	300 V
Nominal current $I_N$	8 A
Nominal voltage $U_N$	250 V
Nominal current $I_N$	8 A

---

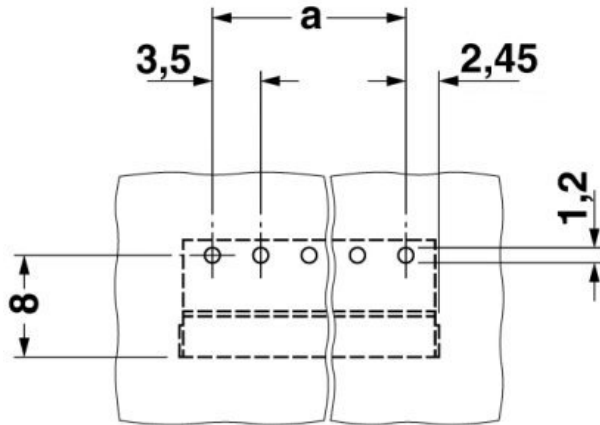
**UL**

Nominal voltage $U_N$	300 V
Nominal current $I_N$	8 A
Nominal voltage $U_N$	250 V
Nominal current $I_N$	8 A

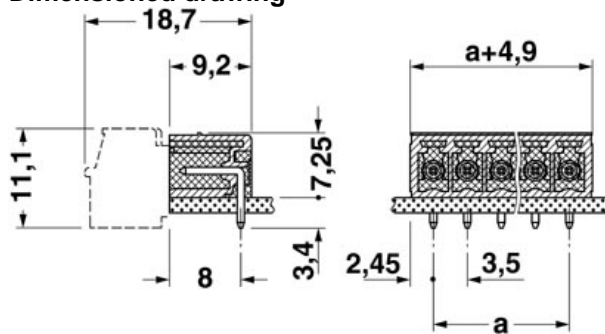
---

## ► Drawings

Drilling diagram



Dimensioned drawing



Approval logo



---

## ► Accessories

---

Item	Designation	Description
<b>General</b>		
1841161	MC 1,5/10-LWL 1,5-3,5	MINI-COMBICON optical fibers, pitch 3.5 mm, 10-position, divisible, are snapped into the back of the MC header, color: transparent, dimension a: 1.5 mm
1841187	MC 1,5/10-LWL 2,3-3,5	MINI-COMBICON optical fibers, pitch 3.5 mm, 10-position, divisible, are snapped into the back of the MC header, color: transparent, dimension a: 2.3 mm
1841200	MC 1,5/10-LWL 4-3,5	MINI-COMBICON optical fibers, pitch 3.5 mm, 10-position, divisible, are snapped into the back of the MC header, color: transparent, dimension a: 4.0 mm
<b>Marking</b>		
0804073	SK 3,5/2,8:FORTL.ZAHLEN	Marker card, printed horizontally, self-adhesive, 10-section marker strip, 12 identical decades marked 1-10, 11-20 etc. up to 91-100, sufficient for 120 terminal blocks
<b>Plug/Adapter</b>		
1734634	CP-MSTB	Coding section, is inserted into the slot on the plug or inverted header, red insulating material

---

---

**► Additional products**

---

Item	Designation	Description
<b>General</b>		
1840379	MC 1,5/ 3-ST-3,5	Plug component, nominal current: 8 A, rated voltage: 160 V, pitch: 3.5 mm, no. of positions: 3, type of connection: Screw connection
1863165	MCVR 1,5/ 3-ST-3,5	Plug component, nominal current: 8 A, rated voltage: 160 V, pitch: 3.5 mm, no. of positions: 3, type of connection: Screw connection
1862865	MCVW 1,5/ 3-ST-3,5	Plug component, nominal current: 8 A, rated voltage: 160 V, pitch: 3.5 mm, no. of positions: 3, type of connection: Screw connection

---

## ► Address

---

PHOENIX CONTACT GmbH & Co. KG  
Flachsmarktstr. 8  
32825 Blomberg  
Germany  
Phone +49 5235 3 00  
Fax +49 5235 3 41200  
<http://www.phoenixcontact.com>  
Phoenix Contact  
Technical modifications reserved;